

Rotary switch can be turned 90°, lockable, with relief port including silencer.

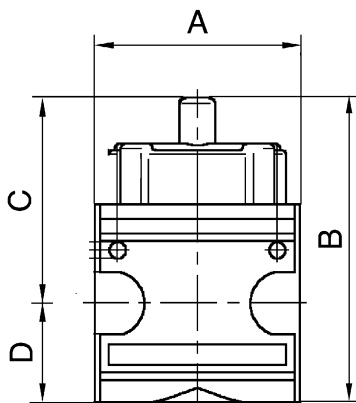
Input pressure:	Max. 16 bar
Vent port:	G 1/2
Medium temperature:	-10 to 60 °C
Ambient temperature:	-10 to 60 °C
Housing:	Aluminium
Operation:	Twist knob, rotatable 90°
Sealant:	NBR
Flow rate measurement:	At P <sub>1</sub> = 6 bar and pressure drop Δp = 1 bar



K 55

Ball valves, 3/2-way

Art. No.	Ident No.	Thread	Flow rate l/min	A mm	B mm	C mm	D mm
K 55	100615	G 1	30000	82.8	133.5	83.0	50.5



flow characteristic

